

Instructions - User Manual

PRESSURE CLEANER

H1950



ALNOVA[®]

Millasur, SL.
Rúa Eduardo Pondal, nº 23 - Pol. Ind. Sigüeiro
15688 - Oroso - A Coruña 981 696465 www.millasur.com



ANOVA thanks you for choosing one of our products and guarantees the assistance and cooperation that has always distinguished our brand over time.

This machine is designed to last for many years and to be of great use if used in accordance with the instructions contained in the user manual. We therefore recommend that you read this instruction manual carefully and follow all our recommendations.

For more information or doubts, you can contact us through our web supports such as www.anova.es

INFORMATION ABOUT THIS MANUAL

Please pay attention to the information provided in this manual and on the appliance for your safety and that of others.

- This manual contains instructions for use and maintenance.
- Take this manual with you when you go to work with the machine.
- The contents are correct at the time of printing.
- The rights to make changes at any time are reserved without affecting our legal responsibilities.
- This manual is considered an integral part of the product and must remain with it in case of loan or resale.
- Ask your dealer for a new manual in case of loss or damage.

READ THIS MANUAL CAREFULLY BEFORE USING THE MACHINE



To ensure that your machine provides the best results, please read the usage and safety regulations carefully before using it.

OTHER WARNINGS:

Incorrect use could cause damage to the machine or other objects.

The adaptation of the machine to new technical requirements could cause differences between the content of this manual and the purchased product.

Read and follow all instructions in this manual. Failure to follow these instructions could result in personal injury

INDEX CONTENT

- 1. SAFETY RULES AND PRECAUTIONS**
- 2. PARTS OF THE MACHINE**
- 3. ASSEMBLY**
- 4. INSTRUCTIONS FOR USE**
- 5. CLEANING AND STORAGE**
- 6. TECHNICAL DATA**
- 7. TROUBLESHOOTING**
- 8. TRANSPORTATION**
- 9. STORAGE**
- 10. ENVIRONMENT**
- 11. WARRANTY CONDITIONS**
- 12. EXPLODED**
- 13. CE CERTIFICATE**

1. SAFETY RULES AND PRECAUTIONS

- Never point the high pressure nozzle at people or animals.
- Never drink alcohol or use drugs while using the pressure washer.
- Never use the pressure washer while standing in water.
- Never touch the electrical plug with wet hands.
- Never let electrical connections touch water.
- Never use the pressure washer without the water running.
- Never use hot water with this pressure washer.
- If the power cord is damaged, it must be replaced by the manufacturer, its service agent, or similarly qualified persons in order to avoid a hazard.
- The machines must not be used by children. Children must be supervised to ensure that they do not play with the appliance.
- for commercial use: This machine should not be used by persons (including children) with physical, sensory or mental disabilities and lack of experience, skills or knowledge.
- For non-commercial use: This machine can be used by persons with reduced physical, sensory or mental capabilities or lack of experience and knowledge when supervised or safe.
- Use the machine and understand the dangers it can cause.
- Use personal protective equipment (PPE) suitable for high pressure cleaners in operation, for example, safety shoes, protective gloves, protective visors, hearing protection, etc.

Equipment use

⚠ Caution: Hazard of recoil forces and sudden torque at the nozzle when the spray gun is opened

⚠ Warning: This machine has been developed for the use of the detergent supplied or recommended by the manufacturer (optional accessory). The use of other cleaning agents or chemicals may affect the safety of the machine. The device is designed for indoor and outdoor home and commercial use.

⚠ Warning: High pressure jets can be dangerous if used incorrectly. The jet must not be directed at people, live electrical equipment or the machine itself.

When using this product, basic precautions should always be followed, including the following:

- Do not use the equipment with people within its range of action unless they are wearing protective clothing.
- Do not point the jet at yourself or others to clean clothes or shoes.
- Disconnect the power supply before performing user maintenance.
- High pressure cleaners must not be operated by children or unqualified persons.
- To ensure the safety of the machine, use only original manufacturer's parts or use parts approved by the manufacturer.
- Do not use the equipment if a power cable or important parts of the equipment are damaged, such as safety devices, high pressure hoses, spray gun, etc.
- If the extension cord is used, the plug and socket must be waterproof.

⚠ Warning: Improper extension cords can be dangerous, if an extension cord is used, it must be suitable for outdoor use, and the connection must be kept dry and off the ground.

- Switch off the device and disconnect it from the power supply before assembly, cleaning, adjustments, maintenance, storage and transportation.
- The electrical supply connection must be carried out by a qualified electrician and comply with IEC 60364-1, either a residual current device that will cut off the power supply if the

leakage current to ground exceeds 30mA for 30ms or a ground fault interrupt device must be installed.

⚠Warning: Do not use the machine if a connection cable or important parts of the machine are damaged, such as safety devices, high pressure hoses or spray gun. The machines are not suitable for connection to portable water lines. Connect the machine to the water supply.

- Use the device on a flat surface.
- For safety reasons, please make sure you have a three-month check and maintenance. Before using the machine, please make sure the filter and nozzle are properly and make sure there is no pollution. After use, make sure there is no water in the pump or hose.
- Overload protection:
When the nozzle is filled or the high pressure hose is knotted, the overload protection works automatically and the machine shuts down.
After resolving the fault, turn on the switch again and turn on the machine.









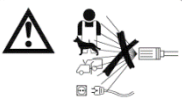
Other safety precautions




1. Read all instructions before using product. Save all safety instructions.
2. Do not use the pressure washer if you are fatigued or under the influence of alcohol or drugs.
3. Risk of injection or injury: Do not direct the high pressure water jet towards people or animals.
4. Do not allow children to operate the pressure washer at any time.
5. To reduce the risk of injury, close supervision is necessary when the pressure washer is used near children.
6. Know how to stop the unit and reduce pressure immediately. Become completely familiar with the controls.
7. Stay Alert – Always be aware of where you are directing the high pressure spray.
8. Keep the cleaning area clear of all people.
9. Maintain good footing and balance at all times; do not overreach or stand on unstable support.
10. The work area must have adequate drainage to reduce the possibility of a fall due to slippery surfaces.
11. Follow the maintenance instructions specified in the manual.
12. To reduce the risk of electrocution, keep all connections dry and off the ground. Do not touch the plug with wet hands.
13. Be adequately briefed on the tip to be used, the danger of recoil force and sudden torque on the spray assembly when trigger is opened.
14. It is recommended that the electrical supply to this machine include a residual current device that will interrupt the supply if the leakage current to ground exceeds 30mA for 30ms or a device that will test the circuit for ground.
15. explosion hazard: Do not spray flammable liquids.
16. **⚠Warning:** High pressure hoses, fittings and couplings are important to the safety of the machine. Use only hoses, fittings and couplings recommended by the manufacturer.
17. Water that has passed through a backflow prevention device is considered non-potable.
18. Designed for home and outdoor use only.
19. High pressure hose can develop leaks from wear, abuse, kinks, etc. Do not use a damaged hose.
20. Do not use pressure washer in areas near combustible materials, combustible fumes, or dust.
21. Some chemicals or detergents can be harmful if inhaled or swallowed and cause serious injury. Wear a respirator or facemask whenever there is a possibility of inhaling vapors. Read all instructions included with the mask to be sure that the mask will provide the necessary protection against inhalation of harmful vapors.

22. Before starting the pressure washer in cold weather, check all parts of the equipment and make sure no ice has formed. Do not store the unit in any place where the temperature drops below 0 °C (32 °F).
23. Do not make any modifications to any component of the machine. Units with broken parts or without protective casing or covers should never be used.
24. Keep the high pressure hose connected to the pressure washer and spray gun while the system is pressurized. Disconnecting the hose while the unit is pressurized is dangerous and can cause injury.
25. Always turn off the power switch when the machine is left unattended.
26. Keep water spray away from electrical wiring or electric shock may occur.
27. It must be connected to the water supply before use, then open the gun trigger and open the wiper switch.
28. After the machine stopped for a long time before use, please dial the motor power in the impeller state, and then start the machine according to the operating instructions.

symbols

The labels on your tools and your manual may show symbols. These represent important information about the product or instructions on its use.

	Indicates a potential personal injury hazard.
	In accordance with the European directives applicable to this product.
	Do not expose it to rain or use it in damp places.
	To reduce the risk of injury, the user must read and understand the owner's manual before using this product.
	Always wear safety glasses or safety glasses with side shields and, as necessary, a full face shield when using this product.
	To reduce the risk of injection or injury, never direct a stream of water at people or pets or place any part of your body in the stream. Leaking hoses and fittings can also cause injection injuries. Do not clamp hoses or accessories.
	To reduce the risk of kickback injury, hold the spray lance securely with both hands when the machine is on.
	If not used in dry conditions and safe practices are not followed, electrical shock may occur.
	Caveat! Never point the gun at people, animals, the body of the machine, the power supply or any electrical device

	Machine not designed to be connected to the drinking water network
	Waste electrical products should not be disposed of with household waste, please recycle where facilities exist. Check with your local authority or retailer for recycling advice.
	Recycle unwanted materials instead of disposing of them as waste. All tools, hoses and packaging must be sorted, taken to the local recycling center and disposed of in an environmentally safe manner.

This equipment must be grounded

In a malfunction or defect in the device, the ground is the least resistance where the current will be discharged and therefore the risk of electric shock for the user.

The AC power cord must be connected to a suitable outlet and must comply with all national rules and regulations regarding installation and grounding. The operating voltage is the national power supply. If you are not sure if the outlet is properly grounded, have it checked by a qualified electrician or service technician. Do not make any changes to the plug of the device. If a mismatched plug is mounted on the unit, get a suitable plug from a qualified electrician. Do not use this device with adapter plugs.

Use of extension cords

Use only a 3-wire extension cord with a safety ground plug that is suitable for the connector. Use only an extension cord designed for outdoor use and tighten it with the plug. These extension cords are as follows: Indicated as Suitable for Outdoor Use, when not in use, do not store outdoors, use an extension cord of rated voltage and rated current appropriate for the appliance. Damaged extension cords must not be used. Check the extension cords before operation and replace them if they are damaged. Use extension cords only for their intended purpose. AC wall outlet plug. Keep the cord away from heat and not over sharp edges, Always unplug the extension cord from the wall outlet before removing the device from the extension cord connector. Damaged power cords or a special cord with connector can only be replaced by the manufacturer or customer service representatives

⚠ Warning: To reduce the risk of electrocution, keep all connections dry and off the ground. Do not touch the plug with wet hands.

Correct use of the pressure washer

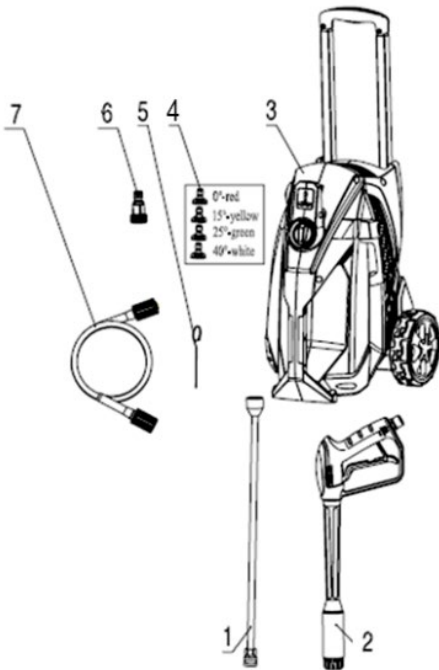
This machine is specially designed to be used with cold water only. Do not use hot water in this pressure washer.

1. Use the pressure washer at no more than the rated fluid pressure for the pressure washer. Never run the pressure washer without a water supply. Running the unit without a water supply will cause irreparable damage to the unit.
2. Make sure the water supply you use for your pressure washer is not dirty, gritty, and does not contain corrosive chemicals. Using a dirty water supply will compromise the long life of the pressure washer.
3. The pressure washer can be used for a variety of applications, such as washing cars, boats, patios, decks, garages, etc., where high pressure is needed to remove dirt and debris.

High pressure water flow can damage work surface if not used properly. Always test the spray in an open area first.

4. Do not move the unit by pulling on the high pressure hose. Use the handle provided on top of the unit.
5. Always hold the high pressure gun and wand with two hands. Keep one hand on the gun/trigger, while holding the wand with the other hand.
6. When dispensing detergent, the pressure washer applies detergent to the cleaning area at low pressure only. Once the detergent has been applied, spray the detergent out of the work area using the adjustable nozzle.

2. PARTS OF THE MACHINE



1. Lance
2. Spray gun
3. Machine
4. Quick connect nozzles (0°, 15°, 25°, 40°)
5. Cleaning pin
6. Water inlet connector
7. High pressure hose

Note: Due to transport and packaging, some of the accessories may be supplied disassembled. Follow the assembly instructions.

3. ASSEMBLY

Step 1:

Attach the nozzle to the end of the lance by pressing the selected nozzle into place, it will make a clicking sound when firmly in place (Fig.1). To remove the nozzle, pull back on the lance collar and remove the nozzle (Figure 2).

⚠ Warning: Remember to change the nozzle when the gun is turned off, to ensure that they are not accidentally ejected with force during extraction.



Fig.1



Fig.2

Step 2:

Screw the water inlet connector onto the water inlet tube. (Fig.3)

Screw the high pressure hose onto the water outlet pipe. Push and turn (clockwise) to prevent leaks. When the parts are attached correctly, you will not be able to separate the two components by pulling directly on the water outlet. (Figure 4)

⚠ Caution: Before using the machine, make sure the high pressure hose is completely uncoiled. While the machine is running, the high pressure hose must be free of knots or loops.

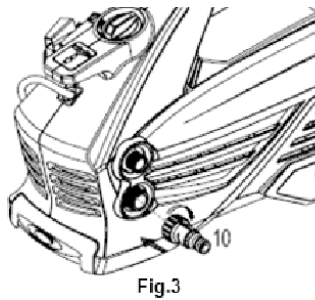


Fig.3

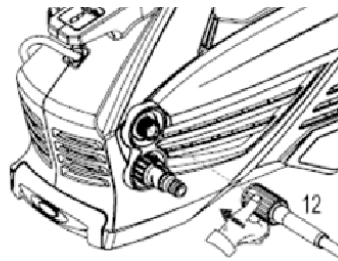


Fig.4

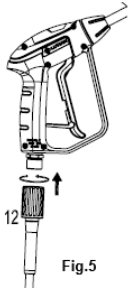


Fig.5

Step 3:

Screw the high pressure hose to the gun. Push and turn (clockwise) to prevent leaks. When the pieces are properly attached, you will not be able to separate the two components by pulling directly on the gun. Remove counterclockwise. (Figure 5)

Step 4 (optional accessory):

Attach the detergent nozzle quick connector to the end of the lance by pressing into place, it will make a clicking sound when firmly in place. To remove the detergent nozzle, pull back on the lance collar and pull out the detergent nozzle. (Figure 6).

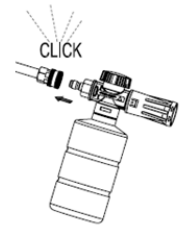


Fig.6

Connect the hose joint to both ends of the water inlet hose, then connect the water inlet hose (minimum hose diameter 13mm) to the joint of the water tap and to the machine (Fig. 7- 9).

⚠ Caution: Before connecting the quick connector to the machine, check that the filter is mounted on the water inlet and that it is not blocked. Failure to adjust filter will damage pump valves.

⚠ Warning: The garden hose can not be damaged or leak, the inner diameter is less than 1/2 inch, the length can not be more than 8 m.

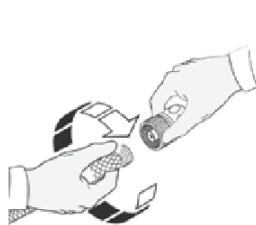


Fig.7

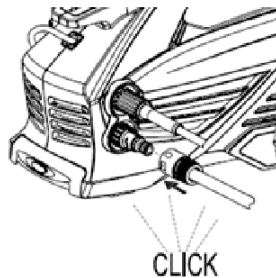


Fig.8

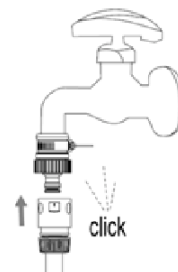


Fig.9

4. INSTRUCTIONS FOR USE

During operation, the appliance must be placed on a firm and stable surface.

Switched on

⚠ Warning: Always turn off the unit's motor before turning off the unit's water supply. Serious motor damage can occur if the unit is run without water.

1. Fully open the water supply faucet.
2. Unlock the trigger (by first pressing the safety button and then pulling the trigger) for a few seconds; Let the water run out of the nozzle.
3. Check for water leaks from the joints. If there are water leaks, please reconnect the water hose, spray gun or lance to make sure all accessories are connected perfectly.

4. Connect to power supply.
5. Place the power switch in the "ON" position (Fig.10).
6. Pull the trigger and turn on the washing machine.

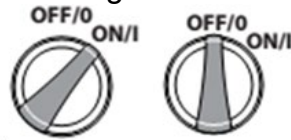


Fig.10

⚠ Warning: Check that the supply voltage and frequency correspond to those specified on the appliance data plate. The appliance must only be connected to a power supply via a safety circuit breaker (max. 30mA) to cut off the power supply in the event of a short circuit.

Stop the machine

⚠ Warning: Always turn off the engine of the machine before turning off the water supply. Serious motor damage can occur if the unit is run without water.

1. Release the trigger, the motor will stop working.
2. Place the switch in the "OFF" position (Fig.10).
3. Disconnect the plug from the socket.

⚠ Warning: Failure to follow the above instructions may cause damage to the machine.

Change of accessories:

1. Release the trigger.
2. Turn the ignition switch to the "OFF" position. (Fig.10)
3. Remove the original adjustable nozzle.
4. Assemble the adjustable nozzle and the detergent bottle.

⚠ Caution: Never disconnect the high pressure discharge hose from the machine while the system is still pressurized. To depressurize the unit, turn off the motor, turn off the water supply and pull the trigger 2-3 times.

Usage information

1. Safety valve and/or pressure relief valve

⚠ Warning: Do not alter or adjust the safety valve settings.

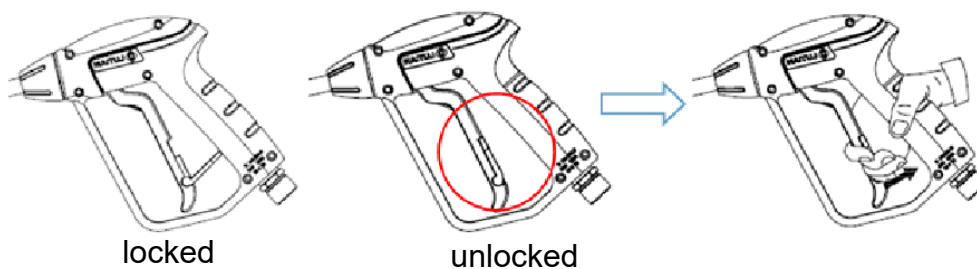
The safety valve is also a pressure relief valve. When the gun trigger is released, the valve opens, the pressure switch action, the machine automatically shuts down.

If the nozzle of the gun is blocked, the pressure of the machine will rise, the safety valve opens, the pressure switch action, the machine automatically shuts down, you can refer to the following point 7 to use a needle to clean the nozzle .

2. The gun safety button

The operator must press the unlock button and then pull the trigger to perform the spray operation. When you release the trigger, it can return to the off position automatically.

When not using the pressure washer, please press the lock button to avoid accidentally activating the high pressure sprayer.

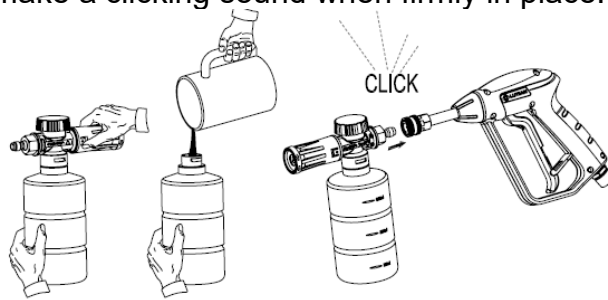


3. hold the gun

Whenever you use your high pressure washer, we suggest that you hold it in the correct position, with one hand on the handle and the other on the adjustable spray nozzle.

4. Use detergent (optional accessory)

Add detergent to the tank of the high pressure detergent bottle. Assemble the tank with detergent dispenser. Attach the detergent nozzle quick connector to the end of the lance by pressing into place, it will make a clicking sound when firmly in place.



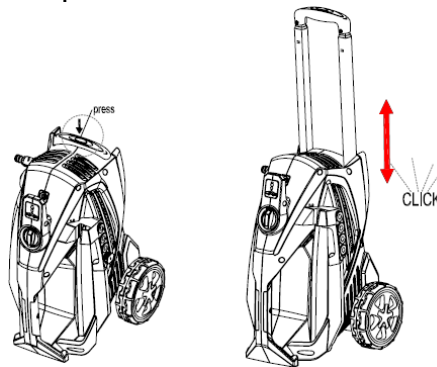
Using detergents can dramatically reduce cleaning time and help remove tough stains. Some detergents have been customized for use in pressure washers for specific cleaning tasks. These detergents are about as thick as water.

Using thicker detergents, such as dish soap, will clog the chemical injection system and prevent detergent application.

The cleaning power of detergents comes from applying them to a surface and giving the chemicals time to break down dirt and grime. Detergents work best when applied at low pressure.

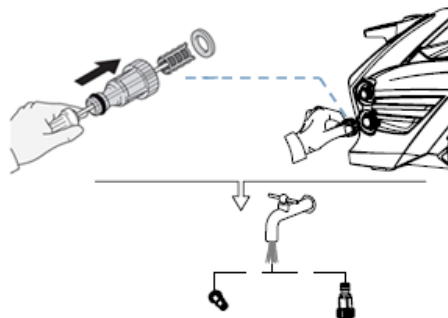
5. Using the telescopic handle

Press the telescopic handle button to move the telescopic handle assembly up and down as shown in the figure below. When you hear the lever click into place, check to make sure the telescoping handle does not move up or down.



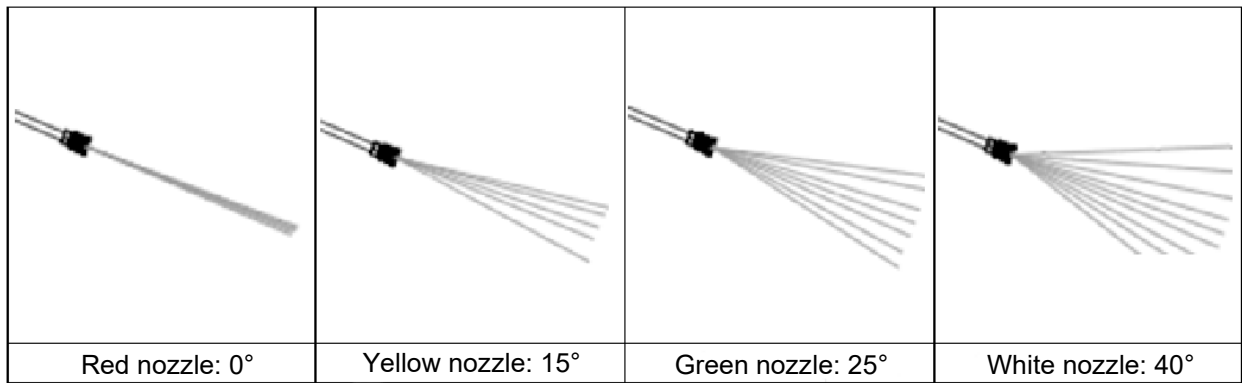
6. Water inlet grill

The water inlet strainer should be inspected periodically to prevent blockages and restrictions in the water supply to the pump.



7. quick connect nozzle

The gun is equipped with 4 types of quick connect nozzles (0°, 15°, 25°, 40°), 4 types of water jet shape as shown below. Please close the gun when you change the nozzle, move the quick connector ring on the spray gun with your left hand, and install the quick connect nozzle on the spray gun quickly, release the stop ring and put it back to the original position .



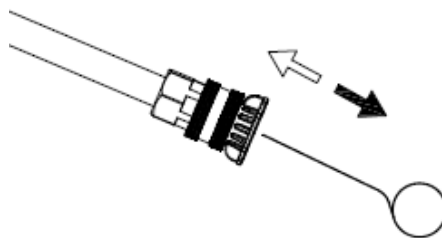
- Red 0° nozzle: this type of nozzle produces a high-pressure stratified vertical jet for cleaning surfaces with particularly severe dirt.
- Yellow nozzle 15°
- Green nozzle 25°
- 40° White Nozzle: These types of nozzles can produce a corresponding high-pressure fan-shaped jet at an angle, intended for cleaning large-scale dirty surfaces.

⚠ Warning: High pressure jets can be dangerous if used incorrectly. The jet must not be directed at people, energized electrical equipment or at the appliance itself.

Do not direct the jet at yourself or other people to clean clothes or shoes. Remember that the spray gun must be turned off when changing nozzles

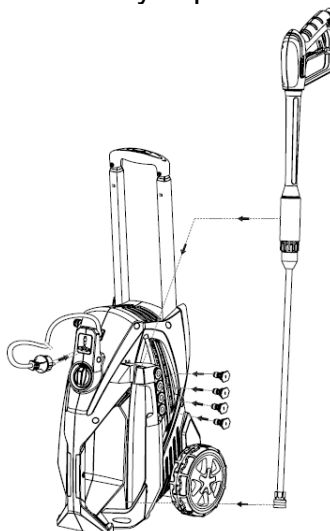
8. Mouthpiece Cleaning Instructions

With the nozzle cleaning tool included, insert the cable into the hole of the nozzle and move it back and forth until the debris comes off (Fig.15)



9. Attachment accessories on the machine

When the machine is not in use, the accessory is placed on the machine as shown.



5. CLEANING AND STORAGE

Turn off the pressure washer


When you finish using the machine, follow the steps to turn off and the pressure washer correctly and safely:

- Place the pressure washer in the “OFF” position.
- Unplug the power cord from the wall outlet.
- Close the water supply.
- Before disconnecting the high pressure hose connection, point the gun in a safe direction and discharge the high pressure water.
- Disconnect the high pressure hose from the pressure washer and the gun.
- Disconnect the garden hose from the pressure washer.
- Remove the quick coupler attachment from the garden hose and attach it to the nozzle portion of the attachment installed on the pressure washer for storage.
- Remove excess water from the pump by tipping the unit on both sides to drain any remaining water from the inlet and outlet fittings.
- Remove the water inlet filter and rinse it with water to remove any dirt or debris. Return the filter once clean.
- Drain the detergent drawer and wash it under running water.
- Wipe off any traces of water on all parts and accessories.
- Engage the gun safety lock.
- Store the pressure washer, parts and accessories in an area with a temperature above 0°C (32°F).

Winterization and long-term storage

Follow the above shutdown procedures adding the following steps:


- After disconnecting the water supply and before disconnecting the high-pressure hose, turn on the pressure washer for 2-3 seconds, until the remaining water in the pump comes out.
- Power off the machine immediately. Remember that continued use of the pressure washer without an attached water supply will cause severe damage to the machine.
- Always store the pressure washer, parts and accessories in an area with a temperature above 0°C (32°F).

 Warning: Failure to follow these storage instructions will damage the pump assembly.

Maintenance

- This pressure washer is supplied with a closed lubrication system, so there is no need to add oil.
- Check all hoses and fittings for damage before use.
- Check inlet filter periodically for deposits. Clean this filter regularly for maximum performance.

Cleaning tips

 Warning: Always test spray in a safe area free of people, objects, or animals before spraying on intended cleaning surface.

Wood and vinyl decks

- Rinse cover and surrounding area with fresh water. If you use detergent, fill the detergent dispenser and apply it to the area being cleaned at low pressure.
- For best results, reduce your work area to smaller sections and clean each section one at a time.
- Let the detergent sit on the surface for a few minutes, then rinse with high pressure. Do

not let the cleaner dry.

- Always wipe from left to right and top to bottom for best results.
 - High pressure rinse using fan spray keeping tip of spray nozzle at least 6-9 inches from cleaning surface.
 - Keep a greater distance from the cleaning area when using a direct spray.
- ⚠Warning: For softer woods, increase the distance from the cleaning area.

Cement, stone and brick patios

- Rinse cleaning and surrounding area with fresh water. If you use detergent, fill the detergent dispenser and apply it to the area being cleaned at low pressure.
- Rinse at high pressure using the fan spray in a sweeping motion keeping the tip of the spray nozzle at least 3-6 inches from the cleaning surface.
- Keep a greater distance from the cleaning area when using a direct spray.

Automobiles, boats and motorcycles

- Rinse cleaning and surrounding area with fresh water. If you use detergent, fill the detergent dispenser and apply it to the area being cleaned at low pressure.
- For best results, clean one side at a time.
- Let the detergent sit on the surface for a few minutes, but don't let it dry.
- Rinse at high pressure using the fan spray in a sweeping motion keeping the tip of the spray nozzle at least 8 inches from the cleaning surface.
- Keep a greater distance from the cleaning area when using a direct spray.
- Dry the surface with a cloth to obtain a polished finish.

BBQ grills, electrical equipment and garden tools

- Rinse cleaning and surrounding area with fresh water. If you use detergent, fill the detergent dispenser and apply it to the area being cleaned at low pressure.
- Let the detergent sit on the surface for a few minutes, but don't let it dry.
- High pressure rinse using fan spray keeping tip of spray nozzle at least 1-3 inches from cleaning surface.
- Keep a greater distance from the cleaning area when using a direct spray.

6. TECHNICAL DATA

Model	H1950
Mains voltage / frequency	AC220-230V~50/60HZ
Power	3100W
Nominal pressure	130bar
Max. Pressure	190bar
rated flow	10L/min
Max Flow	11L/min
Max. pressurized water supply	1.2MPa
Max. water temperature	50°C
Sound pressure level (K=3dB(A)): LpA	74.3dB(A)
Sound power level (K=3dB(A)): LwA	82.4dB(A)
Vibration value (K=1.5m/s ²)	≤3.0m/s ²
Net weight	38.5kg
Gross weight	40.5kg

7. TROUBLESHOOTING

Depending on the symptoms you observe, the probable cause can be detected and the problem solved. In any other case take your machine to the technical service.

ISSUE	CAUSE	SOLUTION
The machine does not start and the switch is "ON".	The electrical plug is faulty	Check the plug, socket, fuses.
	The voltage is inadequate	Check if the voltage is suitable
	Power cord is not plugged in	Plug in the power cord
Pump does not reach proper pressure or fluctuates	The water inlet filter is clogged	Remove and clean the filter
	The pump draws air	Tighten connections / purge system
	Suction valves are clogged/worn	Clean or replace valves
	Garden hose diameter too small	Replace with $\frac{3}{4}$ inch garden hose
	The water supply is restricted	Check the hose for kinks or leaks
	Insufficient water supply	Fully open water fountain
does not hold pressure	Excess air in the waterline or supply system	Turn off unit and water supply / Purge system / Hold trigger
makes excessive noise	the entrance is blocked	Check intake valves
	Valves are worn, dirty or clogged	Check, clean or replace valves
	The filter is dirty	Check, clean or replace the filter
Motor stops working while in use	Net voltage lower than suggested	Check if the voltage is suitable

8. TRANSPORTATION

- Before transporting the pressure washer, always remove the plug from the power outlet and unplug the machine from the water.
- Always transport the machine with the engine off.
- Consider the weight of the machine if you are going to lift it. See the technical characteristics of the machine for the weight of the machine.
- To lift the appliance, lift it by the handle.
- If you are going to transport the pressure washer horizontally, remember to completely empty the water that it may contain inside the circuits beforehand.
- To transport the appliance, use its wheels.
- Hold the device by the handle and pull it out.
- If you are going to transport the device in vehicles, secure it firmly to prevent it from sliding or tipping over.

9. STORAGE

- Store idle power tools in a place that is inaccessible to children and secure in a way that will not endanger anyone.
- The machine out of use must be stored clean, on a flat surface.
- Store the machine in a place where the temperature range is not lower than 0°C and not higher than 45°C.
- Unplug the plug from the power source before storing this machine, completely drain the water from the machine's internal circuits, clean all parts, and store the machine in a safe and dry place.
- You must also drain the water from the hose, gun and lances.
- Clean the detergent tank before storing the machine.
- Before storing the machine, always respect the points in the maintenance chapter.

10. ENVIRONMENT



Dispose of your device in an ecological way. We must not dispose of machines together with household waste. Its plastic and metal components can be sorted according to their nature and recycled. The materials used to pack this machine are recyclable. Please do not dispose of the packaging in household waste. Please dispose of these packages at an official waste collection point.

11. WARRANTY CONDITIONS

WARRANTY PERIOD

The warranty period (Law 1999/44 CE) according to the terms described below is 2 years from the date of purchase, in parts and labor, against manufacturing and material defects.

EXCLUSIONS

The guarantee does not cover in any case:

- Natural wear and tear.
- Misuse, negligence, careless operation or lack of maintenance.
- Defects caused by incorrect use, damage caused due to manipulations carried out by personnel not authorized by Anova or use of non-original spare parts.

APP

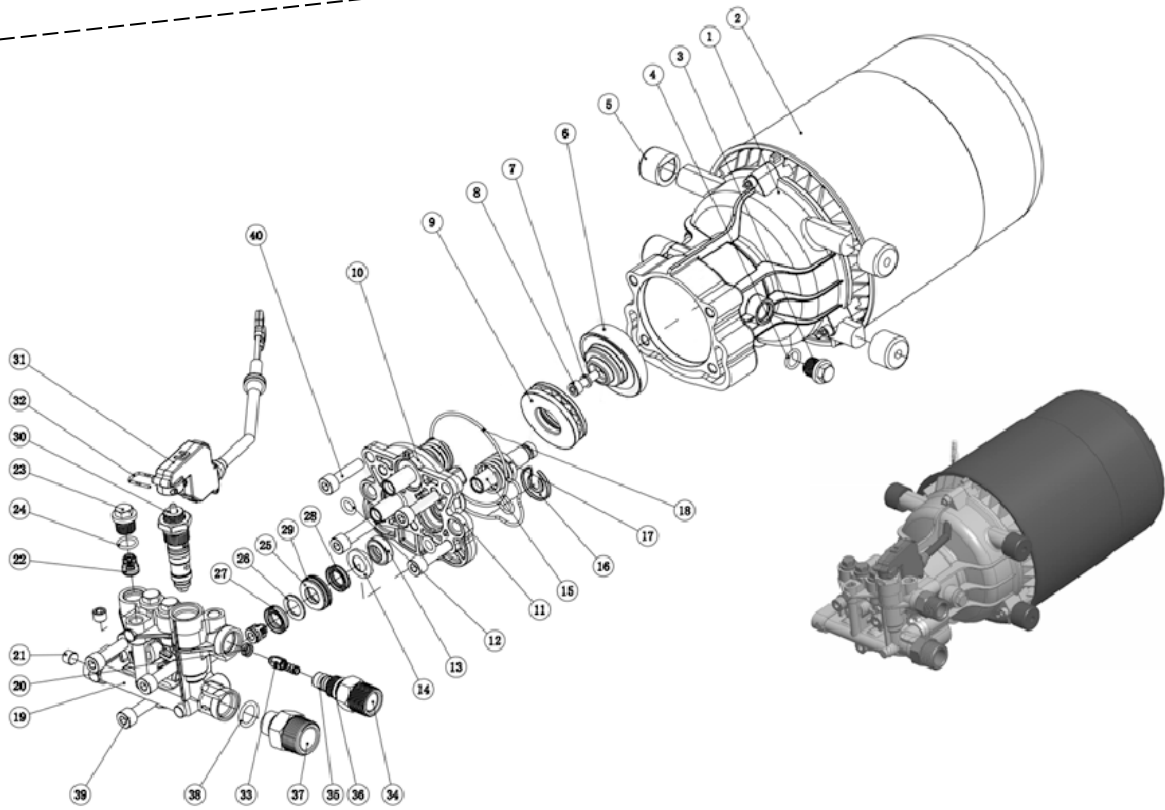
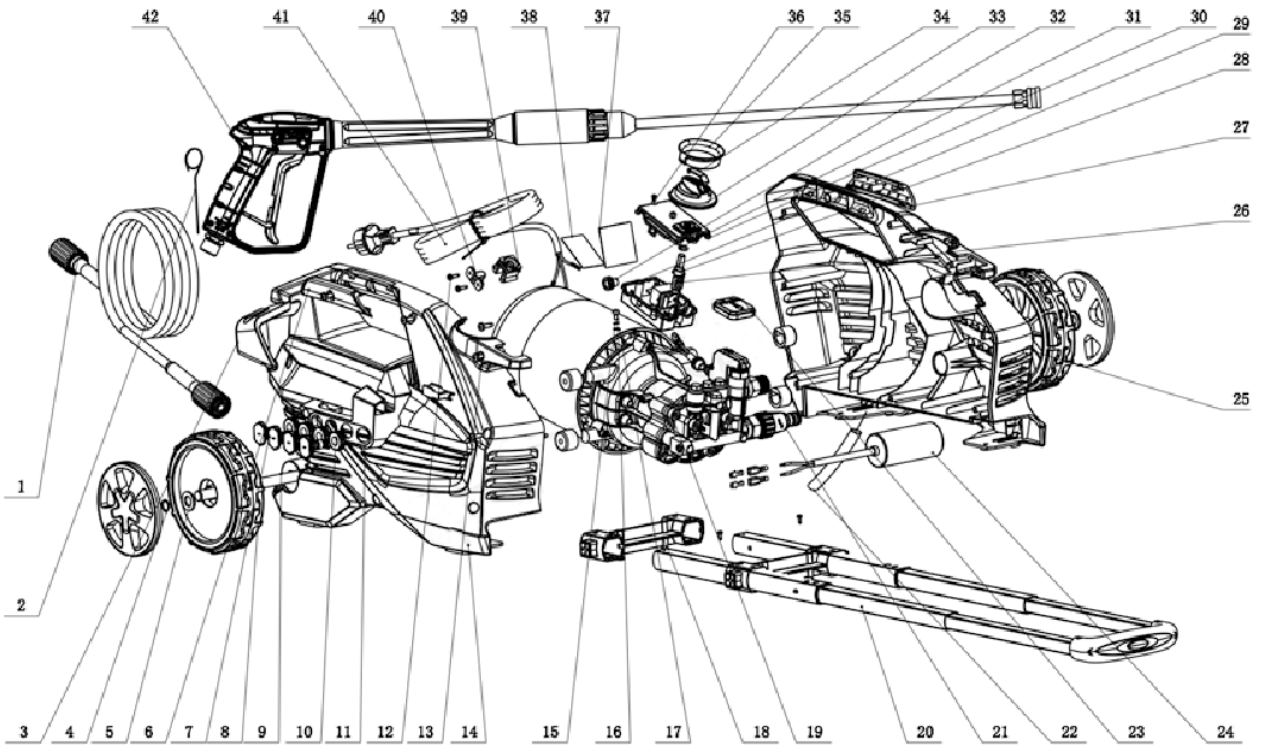
- The guarantee ensures service coverage in all applicable cases, although the machine must be accompanied by its respective purchase invoice and be managed through an authorized Anova center.



ATTENTION!

TO ENSURE MAXIMUM OPERATION AND SAFETY, READ THE INSTRUCTION BOOK CAREFULLY BEFORE USE.

12. EXPLODED



13. CE CERTIFICATE

DECLARATION OF CONFORMITY (CE)

DISTRIBUTION COMPANY

MILLASUR, SL
RUA EDUARDO PONDAL, Nº 23 PISIGÜEIRO
15688 OROSO - A CORUÑA
SPAIN



ALNOVA

EC DECLARATION OF CONFORMITY

In compliance with the different CE directives, it is hereby confirmed that, due to its design and construction, and according to the CE mark printed by the manufacturer on it, the machine identified in this document complies with the relevant and fundamental health and safety requirements. of the aforementioned EC directives. This declaration validates the product to display the CE symbol.

In the event that the machine is modified and this modification is not approved by the manufacturer and communicated to the distributor, this declaration will lose its value and validity.

Name of the machine: PRESSURE CLEANER

Model: H1950

Recognized and approved standard to which it conforms:

Directive 2006/42/EC
Directive 2014/35/ANDOR
Directive 2014/30/ANDC
ISO 3744 & ISO5349 (Noise and vibration)

Tested according to regulations:

EN60335-2-79 : 2012
EN 60335-1: 2012+A11:2014
EN 55014-1:2006/A2:2011
EN 55014-2:2015
EN 61000-3-2:2014
EN 61000-3-3:2013
EN 62233:2008

Sound level dB(A): measured 82.4 dB(A) – guaranteed 85 dB (A)

Company seal

MILLASUR, S.L.U.

Rúa Eduardo Pondal,23 - Pol.EMP..Sigüeiro
15688-Oroso-A Coruña

Tel. (+34) 981 69 64 65 - Fax (+34) 981 69 08 61¹⁸

e-mail: millasur@millasur.com

CIF: B-15 749 922

ALNOVA

09/20/2021